

Products group:
HOT TUBS



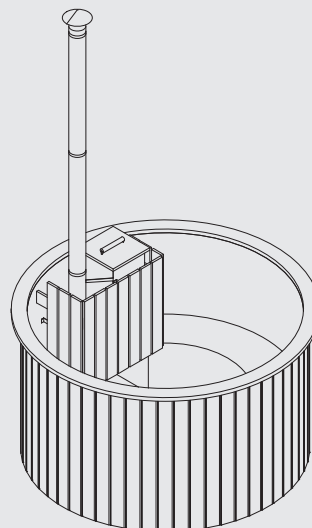
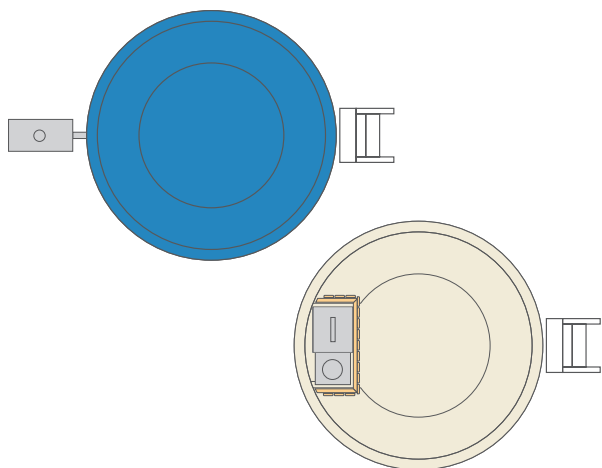
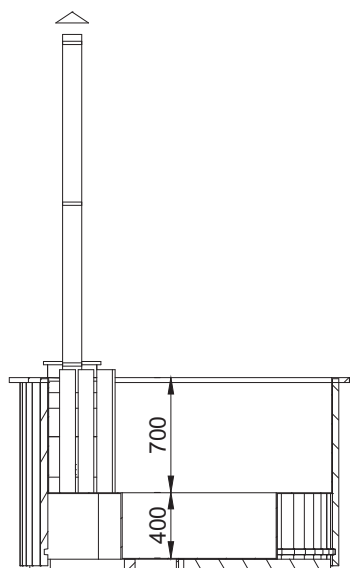
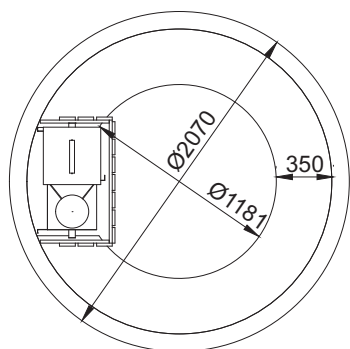
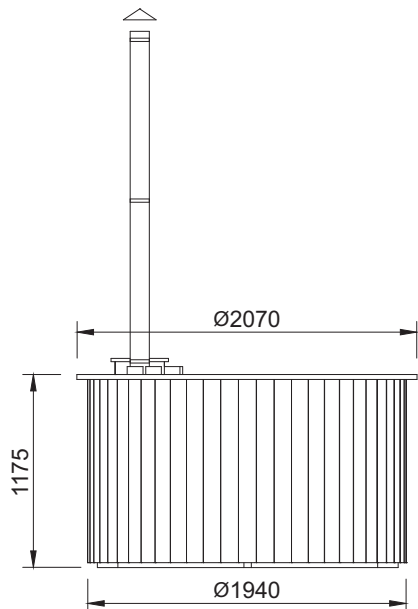
*For your garden
beauty growth!*

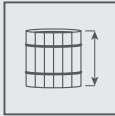
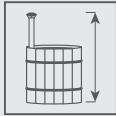
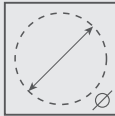


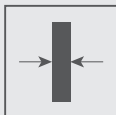


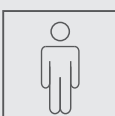


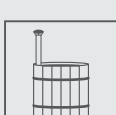
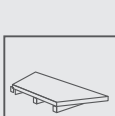

PRODUCT SHEET

FIBERGLASS HOT TUBS

ø1.8 Fiberglass; "Relax"; "Ofuro";
ø1.8 with integrated heater;
Square hot tub

Ø1.8 Fiberglass Hot Tub

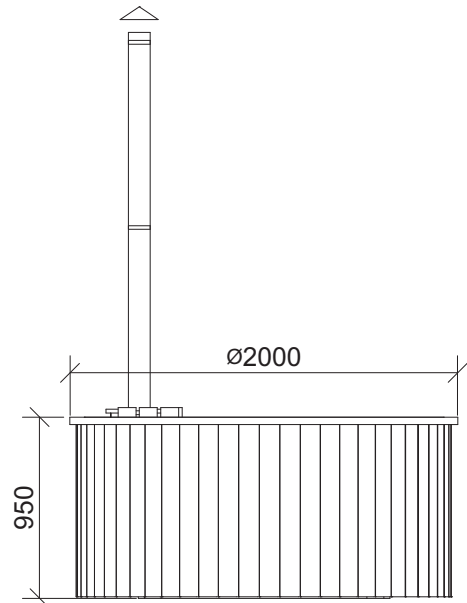
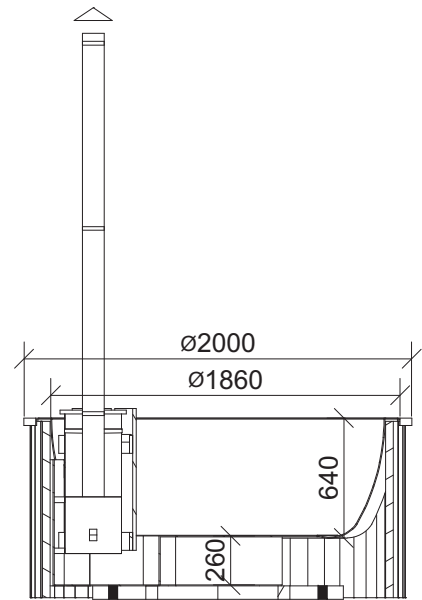
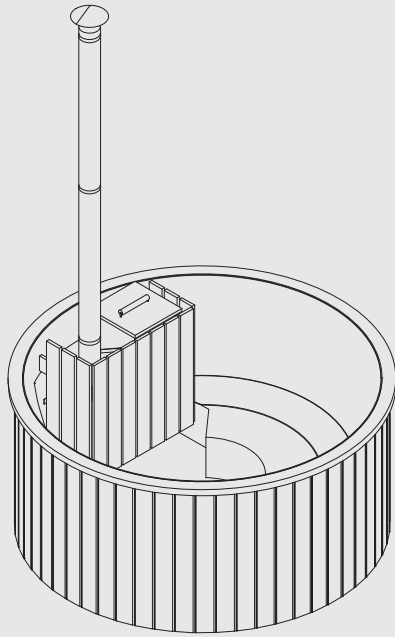


	1000 mm		2390 mm
	1.8 m		Round
	1600 l		12 mm
	Spruce		
	5-8		230 kg
			
	1		Assembled 2.1 x 2.1 x 1.25

Standard Set

- Fiberglass frame hot tub with wooden finishing from the outside;
- Stainless steel heater with a chimney (internal or external);
- Fiberglass inside benches;
- Safety fence for the hot tubs with the internal heaters;
- Outlet valve for water;
- Stairs.

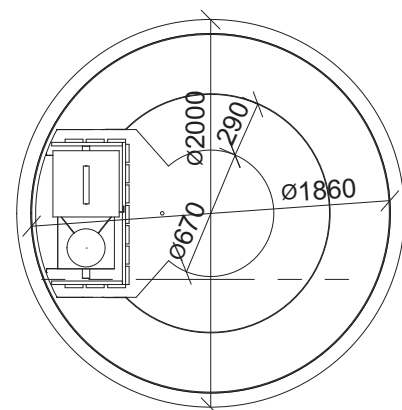
Hot tub "Relax"



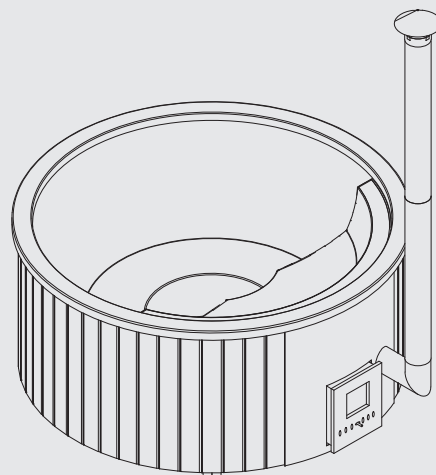
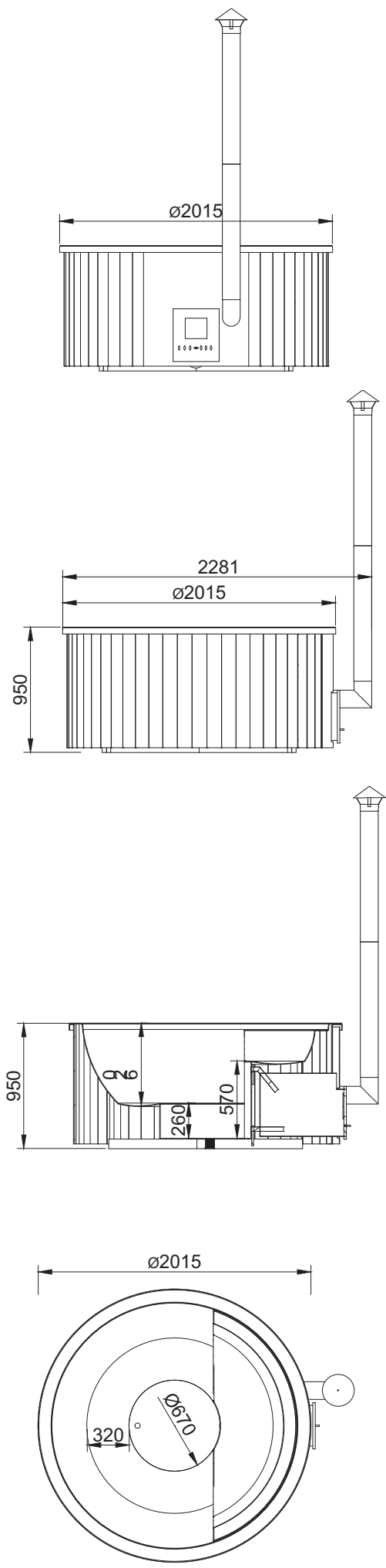
	950 mm		2385 mm
	1.8 m		Round
	1400 l		38 mm
	Spruce		
	1 - 2		150 - 115 kg
	Assembled 2.1 x 2.1 x 1.25 m.		

Standard Set

- Fiberglass frame hot tub with wooden finishing from the outside;
- Stainless steel heater with a chimney (internal or external);
- Fiberglass inside benches;
- Safety fence for the hot tubs with the internal heaters;
- Outlet valve for water;
- Stairs.



Hot tub with integrated heater

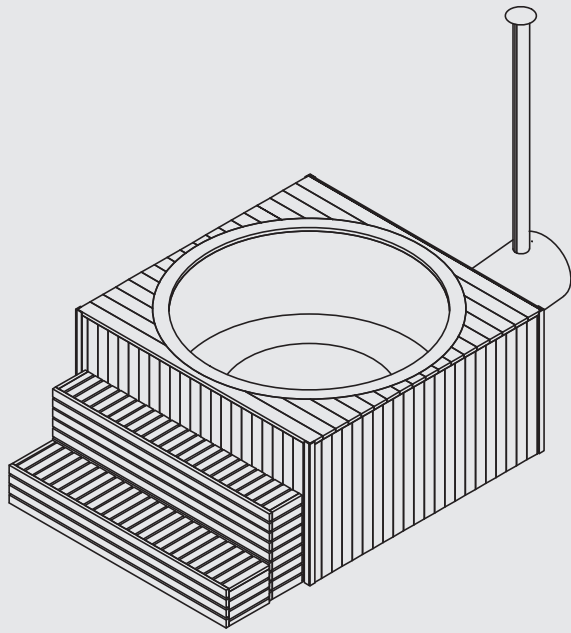


	950 mm		2385 mm
	1.8 m		Round
	1300 l		12 mm
	Spruce		
	210 kg		
	Assembled 2.1 x 2.1 x 1.25 m.		

Standard Set

- Fiberglass frame hot tub with wooden finishing from the outside;
- Stainless steel heater with a chimney (internal);
- Fiberglass inside benches;
- Outlet valve for water;
- Stairs.

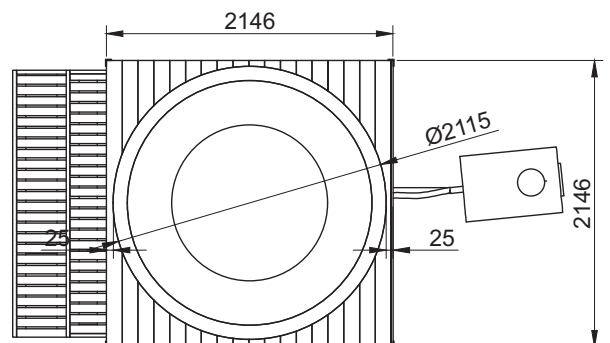
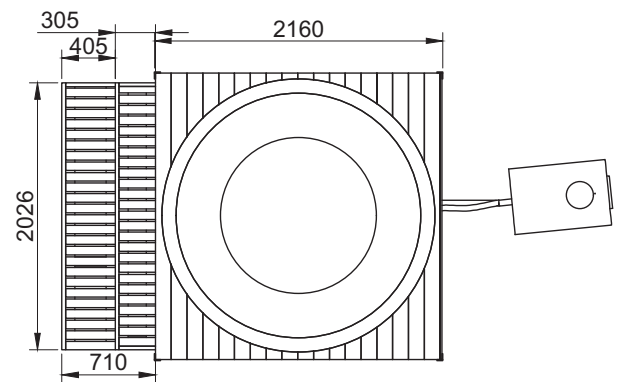
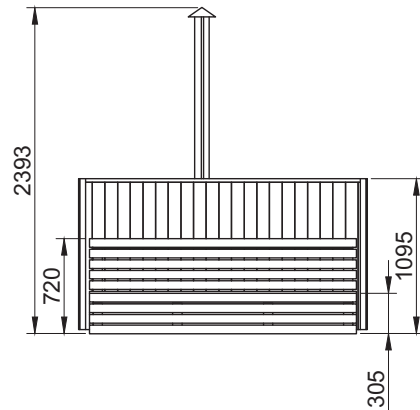
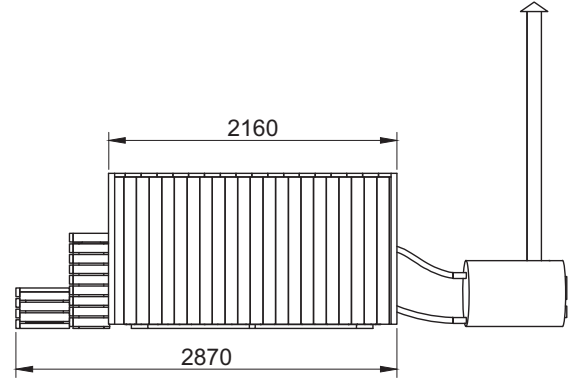
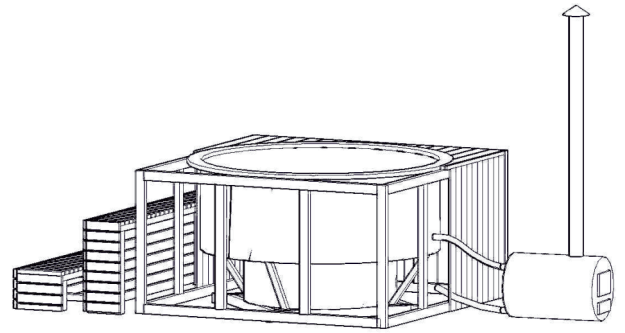
Square Hot tub



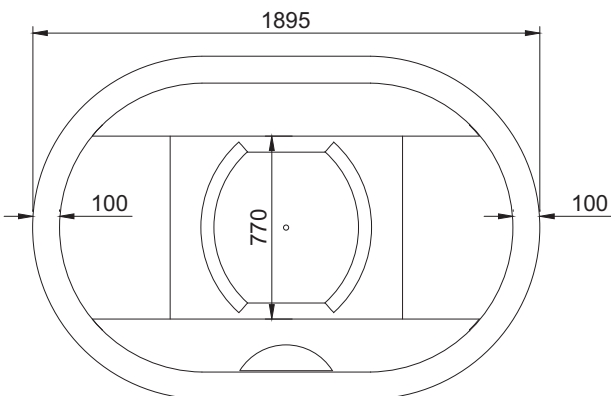
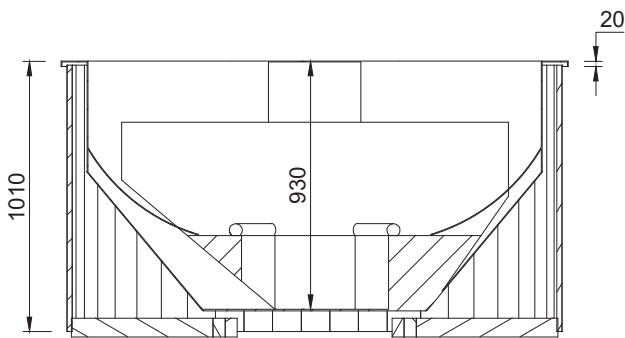
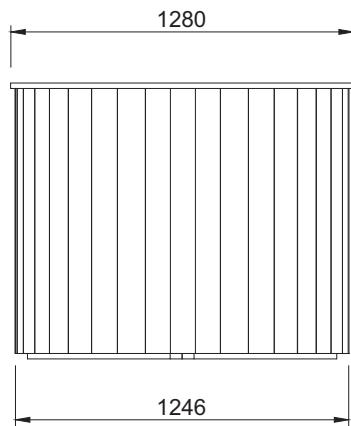
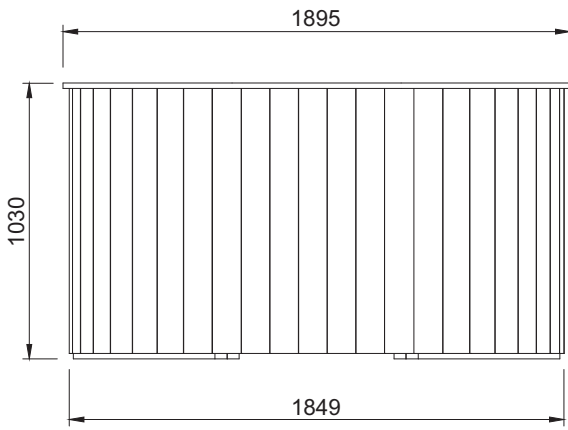
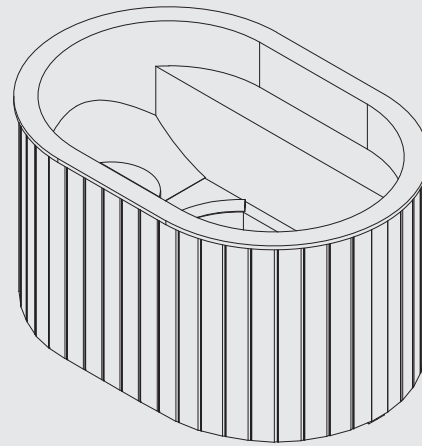
	1000 mm		2390 mm
	1.8 m		Round
	1600 l		12 mm
	Spruce		
	300 kg		Assembled 2.2 x 2.2 x 1.6

Standard Set

- Fiberglass frame hot tub with wooden finishing from the outside;
- Stainless steel heater with a chimney (internal or external);
- Fiberglass inside benches;
- Safety fence for the hot tubs with the internal heaters;
- Outlet valve for water;
- Stairs.



Ofuro tub



	1010 mm		2400 mm
	1895 x 1280 mm		Oval
	750 l		12 mm
	Spruce		
			200 kg
	Assembled 1.9 x 1.2 x 1.16 m		

Standard Set

- Fiberglass frame hot tub with wooden finishing from the outside;
- Fiberglass inside benches;
- Safety fence for the hot tubs with the
- Outlet valve for water;
- Stairs.

TYPE OF WOOD

SPRUCE



We mainly use Nordic spruce, which comes from Scandinavia. The light, golden-white softwood radiates a friendly warmth. Every single board used for our Hot tubs has its own individual character and history, and this makes our product a real natural and unique product.

INSIDE FRAME

FIBERGLASS



Fiberglass hot tubs are easier to clean up and do not require maintenance. The exterior is made from wood and that makes them have nature friendly appearance but with more hygienic inside.

From outside they look like wooden items and you can choose the inside color from classic cream color or pool blue.

USAGE

After purchasing our open air bath first of all you should fill it with water. When preparing for bathing, the tub should be filled-in with water about 10 cm below the top, taking into account the number of people that are going to use it. Before heating the water, make sure that the heater is submerged in water about 5-10 cm below the footing of the chimney. Firewood or briquettes can be used for heating; water is heated to 40°C in 2-4 hours depending on the material used for heating and air temperature.

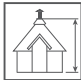




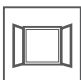
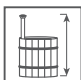

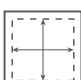
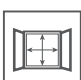


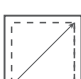
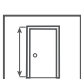


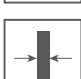


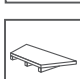


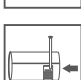

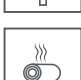
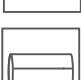
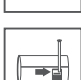

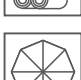
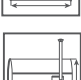


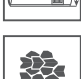

MAINTENANCE

At least once a year the functioning tub must be impregnated as it gives more durability. After usage the tub and water inside must be cleaned. If there is no need to change the water just remove impurities with a gripping device. If the hot tub is kept outside it should be drained before winter months come. It can be drained through a valve at the bottom of the tub for easy water disposal.

Water also can be emptied by using a pump. For hot tub cleaning and maintenance the water pool maintenance equipment can be used. In the cold period of the year the tub should be kept empty as the ice can cause damage.

The tubs that are not in use in the open air should be kept covered.

Symbols

	Height of roof ridge		Total number of windows		Height of tub		Number of persons
	Height of wall		Number of opening windows		Total height of tub		Tub shape
	Area		Size of windows		Water capacity of tub		Diameter of tub
	Diagonal		Size of doors		With external wood burning heater		Height of pod
	Wall thickness		Weight		With internal wood burning heater		Number of benches
	Wood spruce		Size of pallet (LxWxH)		Heater with external firewood feeding		Doghouse entrance hole size
	Thermo wood		Length of barrel		Inside feeding heater		Wood burning heater
	Shape		Diameter of sauna barrel		Electric heater		
	Measurements of extension		Stones for heater		Voltage		